



**Gebesa**  
CREATING AMAZING SPACES

# Renew™

A sense of place.

## Sleep Modules

The Gebesa **Sleep Module** is a cost-effective way to provide sleep accommodations for supportive housing and shelters for those experiencing homelessness. Gebesa uses modular furniture in a creative and functional way that **provides privacy, comfort and storage.**



Sylmar Armory bridge housing for women, **Los Angeles, California**

## Homelessness comes in many forms.

According to the National Coalition for the Homeless, there are three types of homelessness: chronic, transitional and episodic. Most, not all, individuals within these categories enter the shelter system at some point in time. Stays within shelters range from temporary to long term, making supportive housing crucial accessible resources—no matter the need.

Reasons for becoming homeless vary and every individual's story is different. But what remains the same is the need for supportive housing that provides safety, refuge and a pathway out of homelessness.

## We're in a position to help.

Creative Furniture Connection, Goodmans and Gebesa—rep, dealer and manufacturer—have combined resources to design and develop a sleep module as a solution for all types of housing that support and serve the homeless.

# Five Elements of Design

## Flexibility

The Gebesa Sleep Module is a standard kit of parts, connectors, frames and panels. This modular design is movable and flexible. It can be reconfigured to fit any space. Power distribution is available in each module for added flexibility, especially when or if the module is moved.

## Adaptability

The Gebesa Sleep Module can match any configuration. Whether installed in a new or existing facility, sleep modules adapt to any environment. Modular design allows for additional sleep modules as facilities expand.

## Durability

The Gebesa Sleep Module is comprised of high-quality, durable steel and laminate. These materials can endure varied conditions, reducing the need for replacement and ensuring long-term usage. The steel frames are connected with bolts and the laminate tiles are attached with factory-grade brackets. Both provide strength and rigidity.

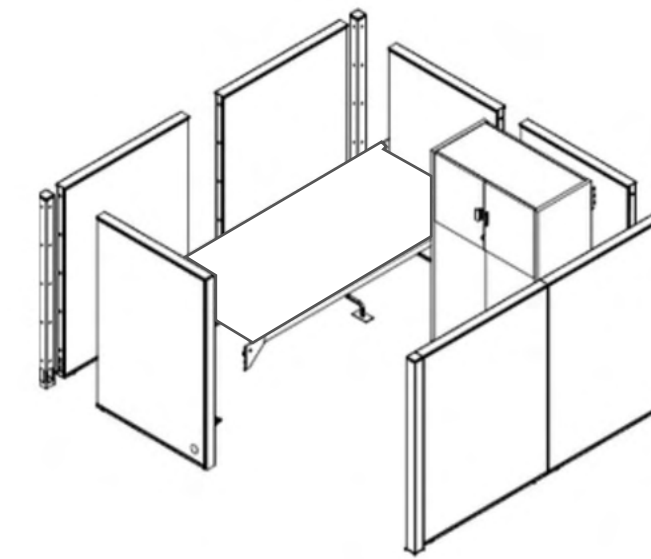
## Stability

The Gebesa Sleep Module is designed with a strong structural system that also provides safety and stable comfort. It can withstand constant use by a variety of users.

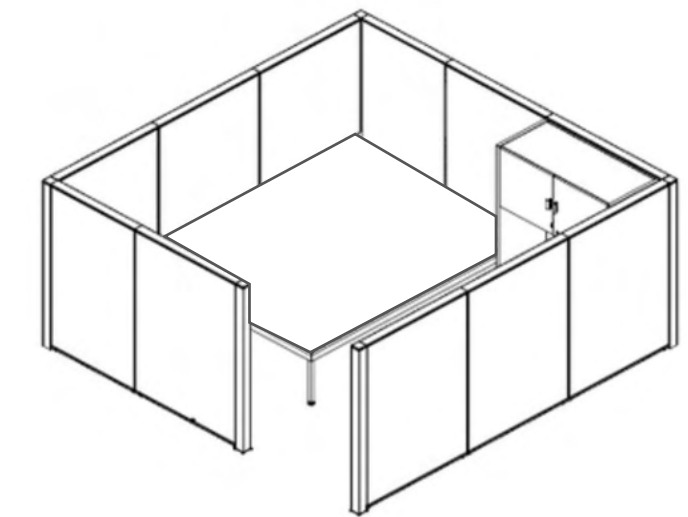
## Cleanability

The Gebesa Sleep Module is easy to clean and maintain. All types of cleaning supplies and disinfectants can be used on the steel frames and sealed laminate tiles. Surfaces are water resistant.

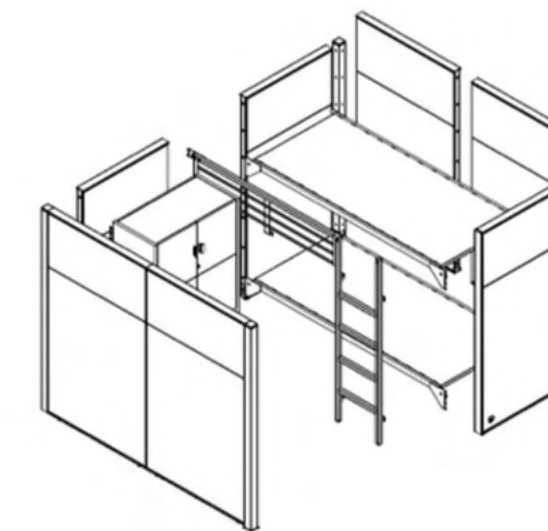
## Sleep modules configurations



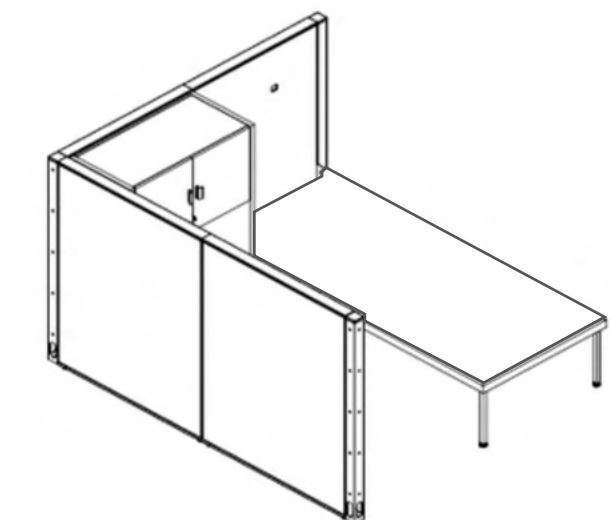
Single Bed



Double Bed



Bunk Bed



ADA Bed

# Power Features

## USB Charging Device

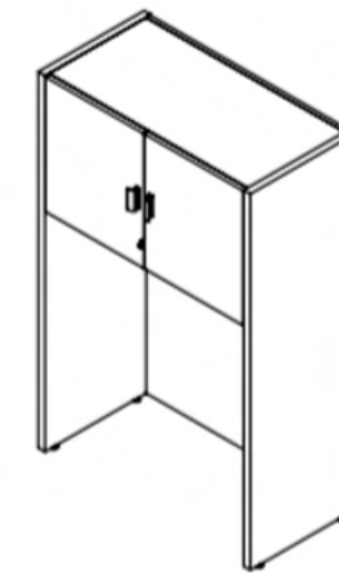
The Gebesa Sleep Module includes a double USB charging device. This enables faster charging capacity for a variety of devices.

## Nightlight

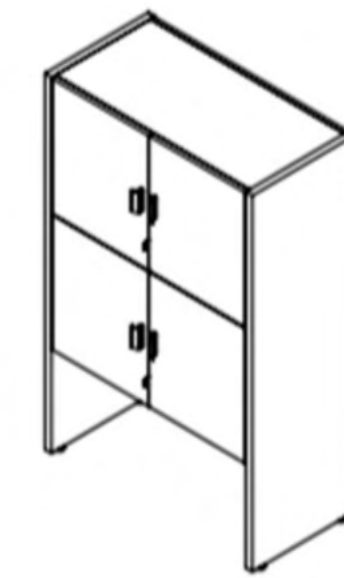
The Gebesa Sleep Module uses an ultra-bright LED light source to provide tenants with better visibility.



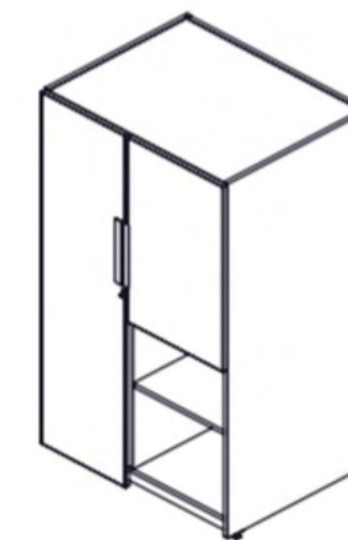
# Storage configurations



Two-Door Hutch



Four-Door Hutch

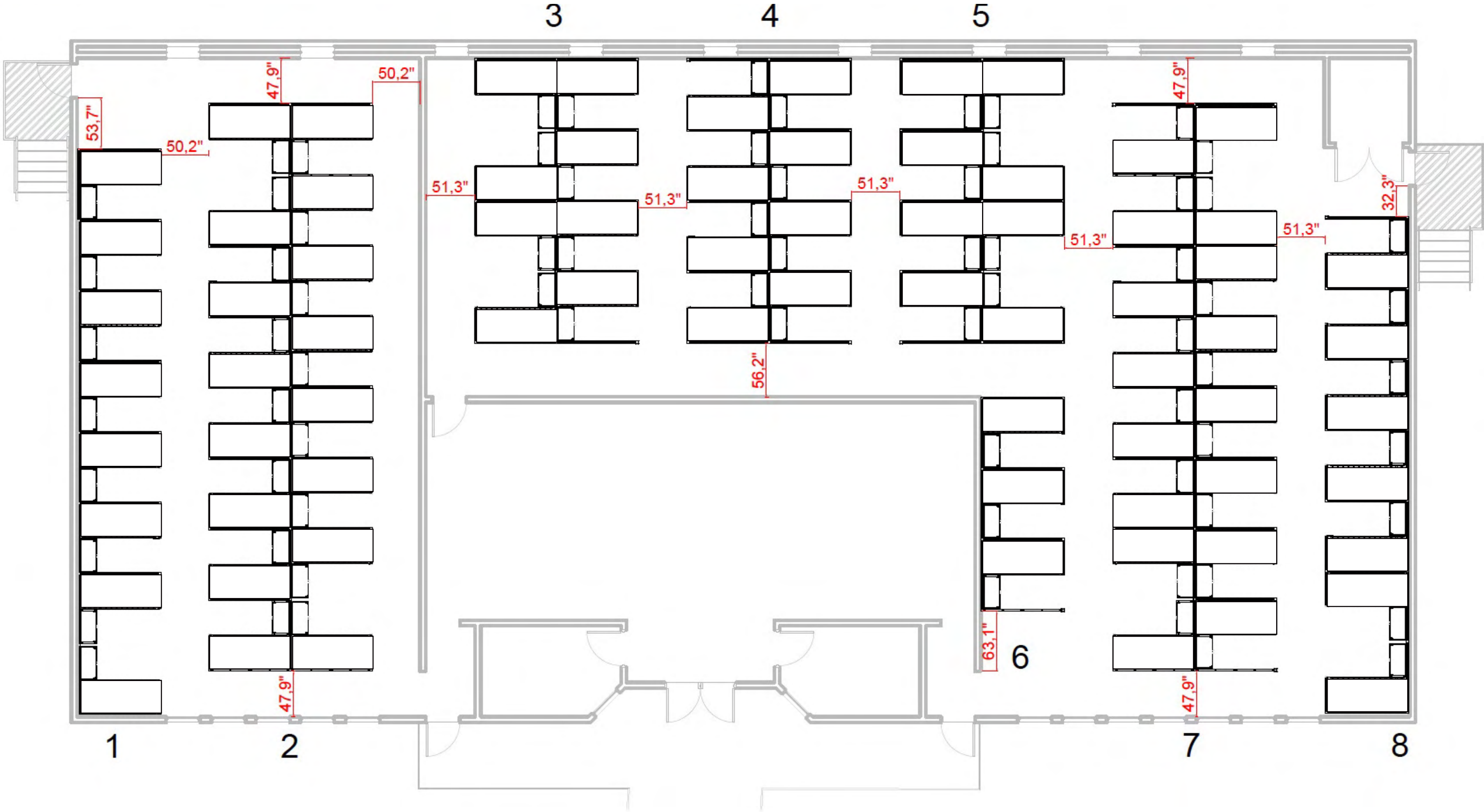


Wardrobe



Drawers

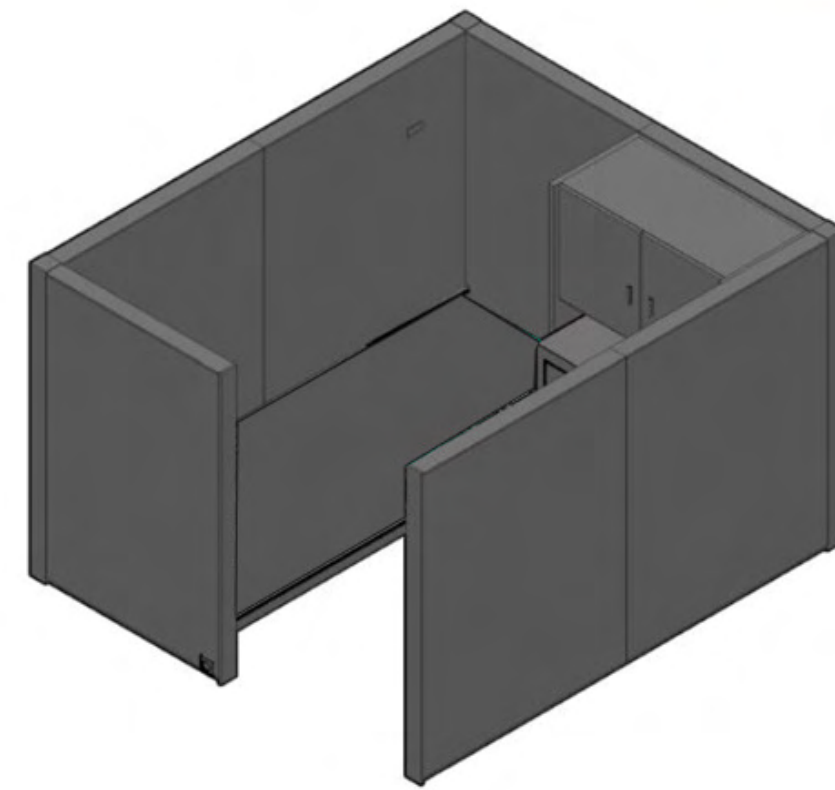
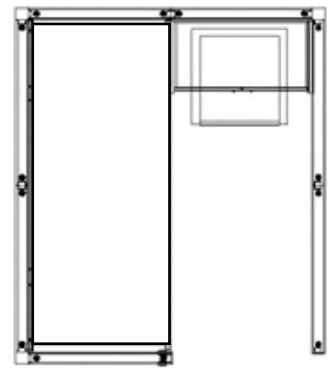
All power features are UL listed and covered under Gebesa's **10-year warranty**.





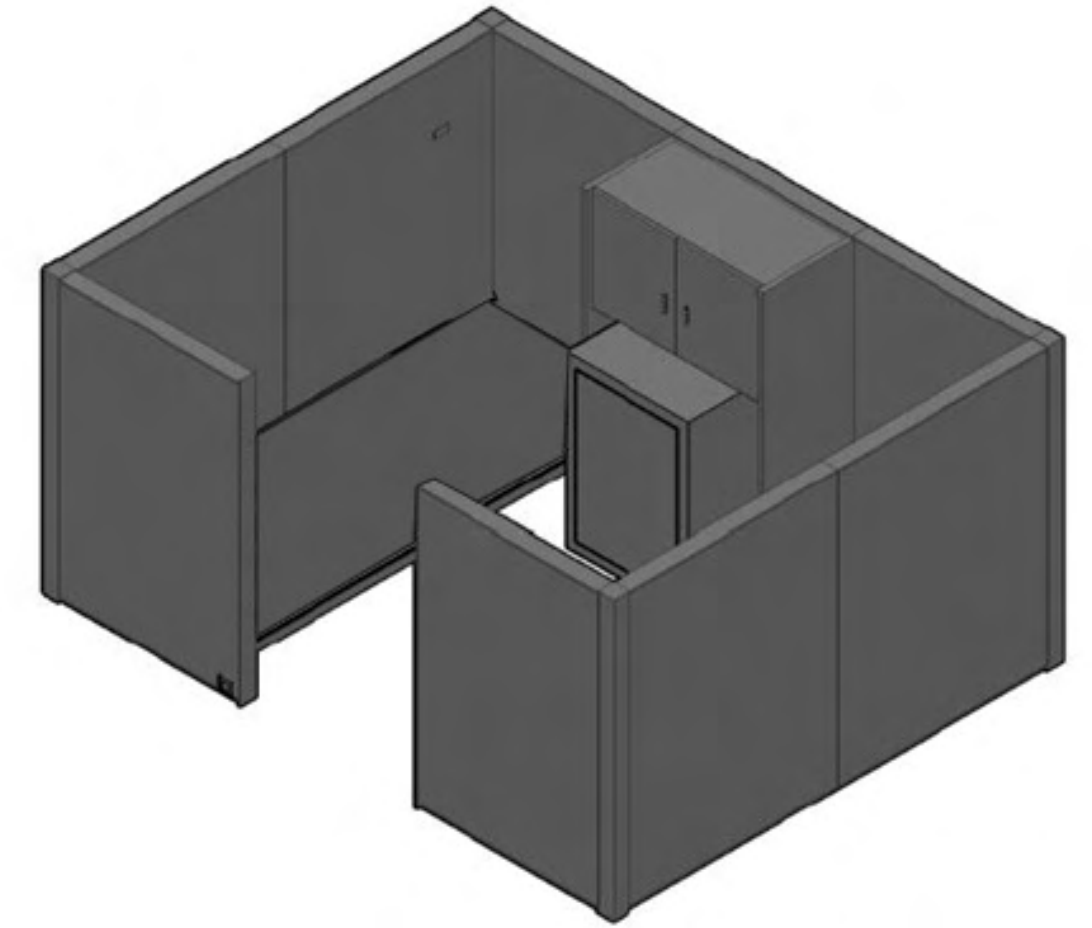
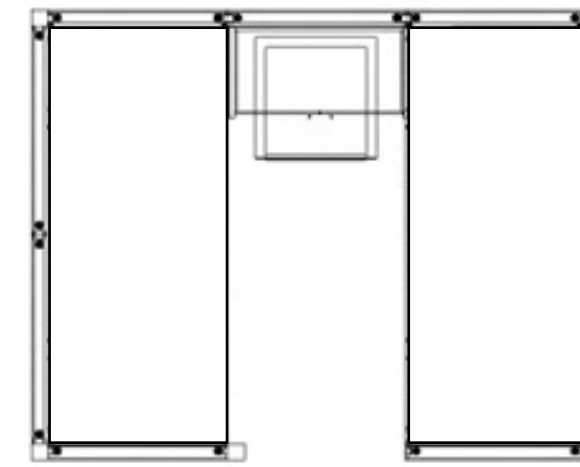
Sleeping Module - Single  
**Gebesa Elite**

PLAN VIEW



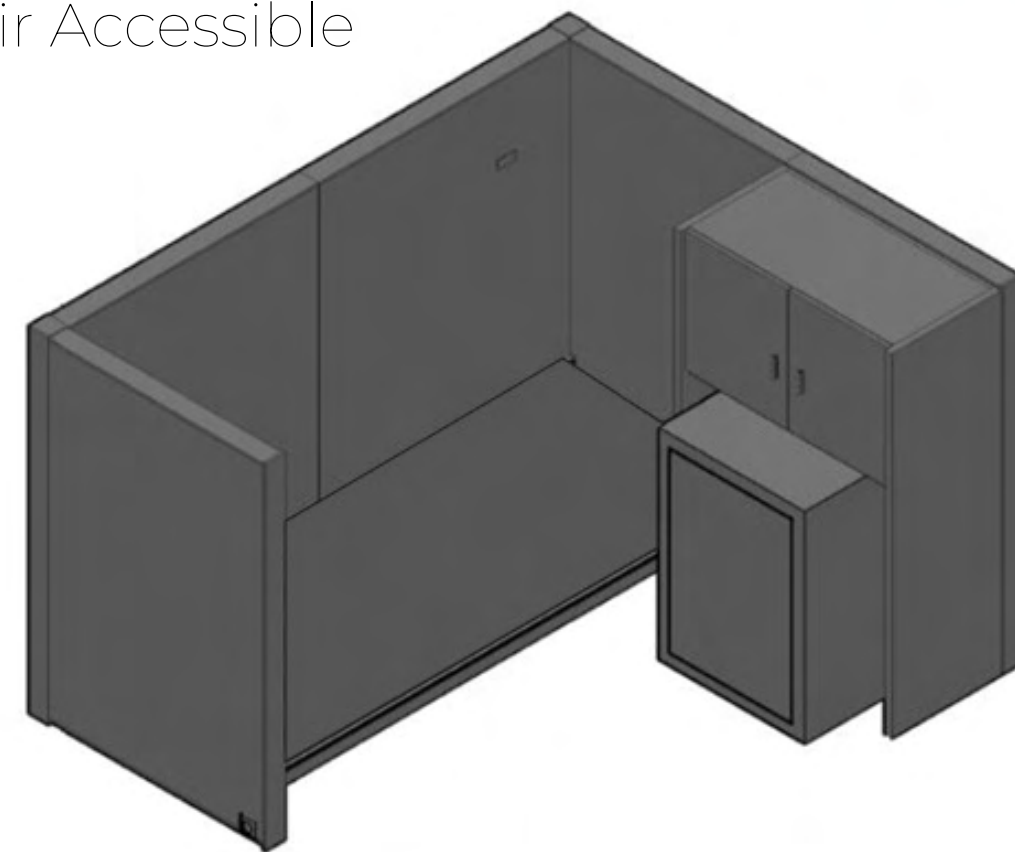
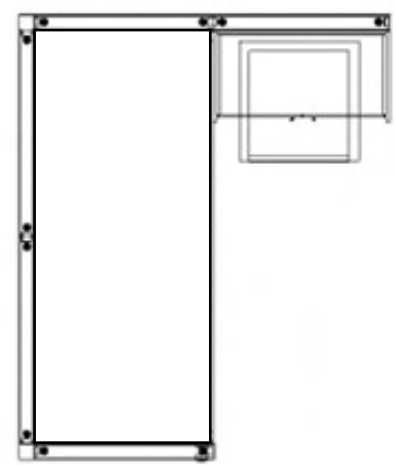
Sleeping Module - Couples  
**Gebesa Elite**

PLAN VIEW

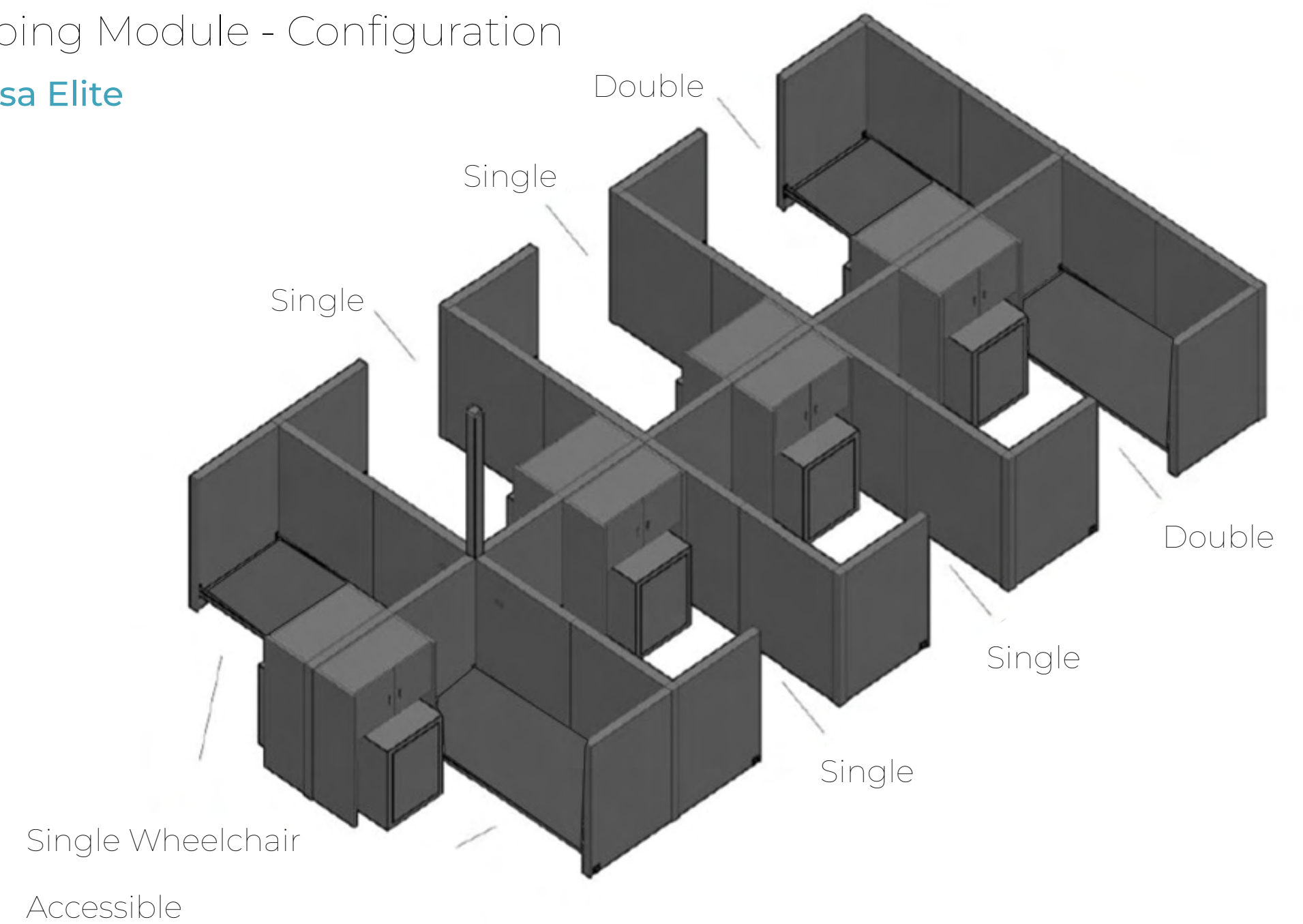


Sleeping Module - Wheelchair Accessible  
**Gebesa Elite**

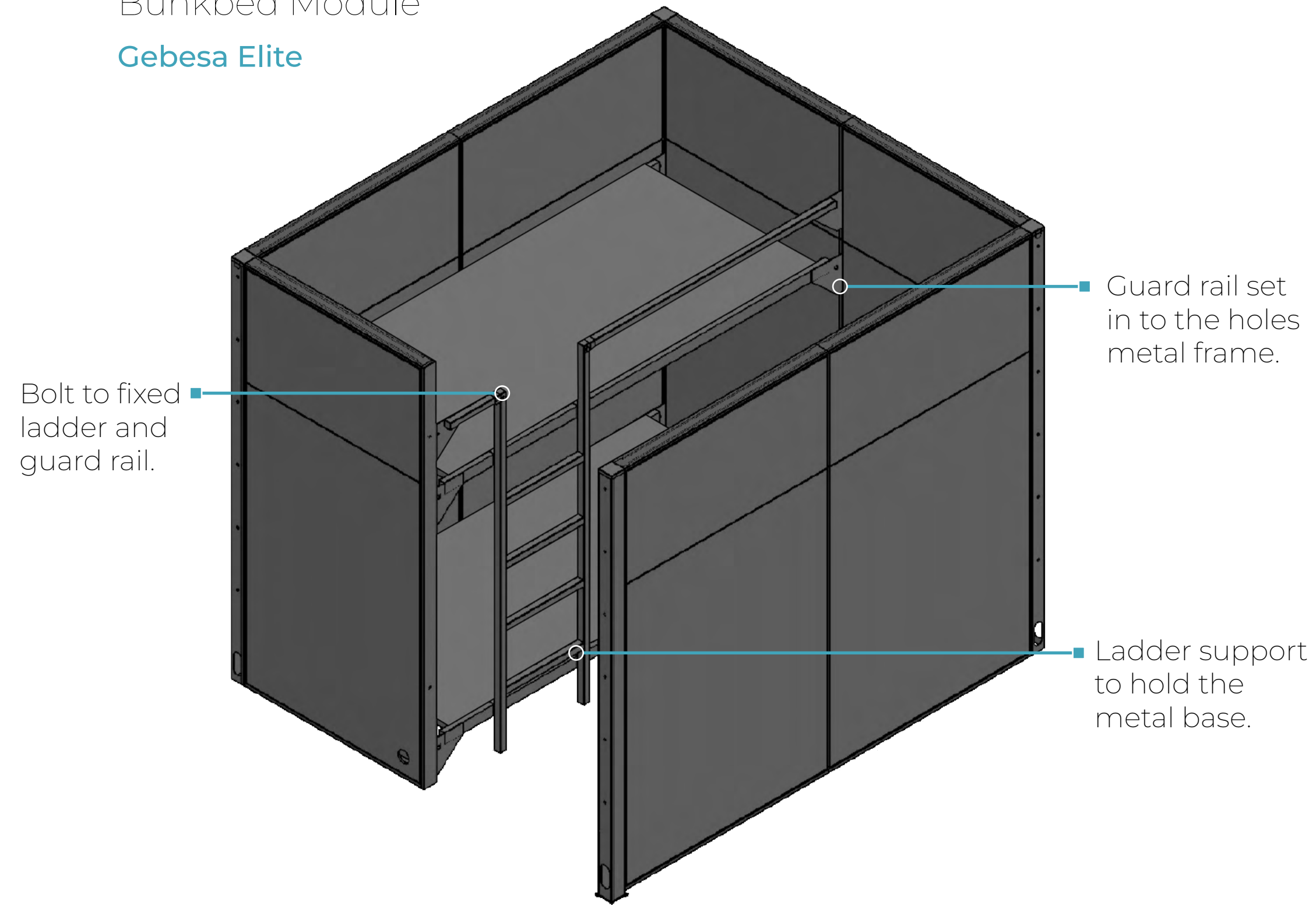
PLAN VIEW



Sleeping Module - Configuration  
**Gebesa Elite**



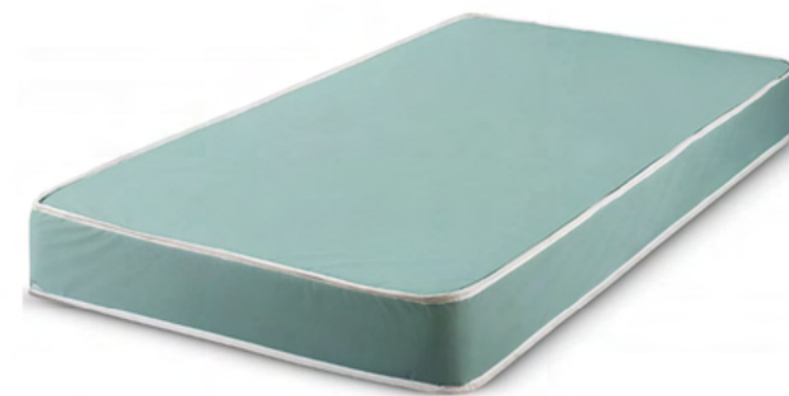
Bunkbed Module  
**Gebesa Elite**



# Sleep module mattress

## Comfort Pedic Inc.

The Gebesa Sleep Module uses vinyl, all-foam mattresses for durability and comfort. With fluid protection and nonabsorbent material, they are easy to clean and meet federal flammability codes.



Comfort Pedic, Inc. is a 10-year-old, family-owned mattress manufacturer.



## UL Certification



Underwriters Laboratories (UL) is a global independent safety science company that tests and certifies products. Requirements are based on UL's published and nationally recognized Standards for Safety.

The Gebesa Sleep Module meets quality and regulatory requirements, ensuring a safe, well-designed product.

Gebesa is a **leading producer** of furnishing solutions with a complete line of products, broad distribution, excellent design and quality, and the ability to customize products for any customer.

- Integrity
- Commitment
- Passion
- Empathy

Founded In  
**1973**

Family-owned  
for **53 years**



## CERTIFICATE OF COMPLIANCE

**Certificate Number** 20191016-E509280  
**Report Reference** E509280-20190912  
**Issue Date** 2019-OCTOBER-16

**Issued to:** MANUFACTURAS POST-FORM, S.A. DE C.V. (GEBESA)  
 Piedras Negras 220, Parque Industrial Lagunero  
 35078 Gomez Palacio  
 Durango MEXICO

**This certificate confirms that representative samples of** OFFICE FURNISHINGS  
 USL – Type I Office Furnishing Model “Sleep Module”.

Have been investigated by UL in accordance with the Standard(s) indicated on this Certificate.

**Standard(s) for Safety:** UL 1286 : Office Furnishings  
 UL 962 : Household and Commercial Furnishings

**Additional Information:** See the UL Online Certifications Directory at <https://iq.ulprospector.com> for additional information.

This *Certificate of Compliance* does not provide authorization to apply the UL Mark. Only the UL Follow-Up Services Procedure provides authorization to apply the UL Mark.

Only those products bearing the UL Mark should be considered as being UL Certified and covered under UL's Follow-Up Services.

Look for the UL Certification Mark on the product.

This is to certify that representative samples of the product as specified on this certificate were tested according to the current UL requirements.

*Bruce Mahrenholz*  
 Bruce Mahrenholz, Director North American Certification Program  
 UL LLC

Any information and documentation involving UL Mark services are provided on behalf of UL LLC (UL) or any authorized licensee of UL. For questions, please contact a local UL Customer Service Representative at <http://ul.com/about/locations/>

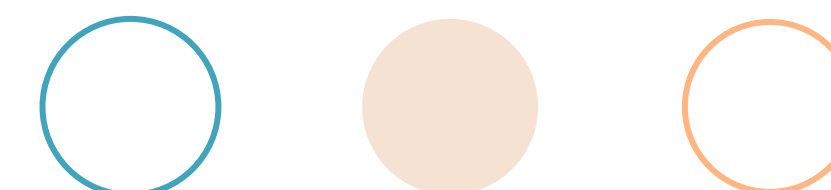




**Gebesa**  
CREATING AMAZING SPACES

# A Bridge Home

*Emergency Temporary Housing*



# Bridge Home Projects - L.A. City

## San Fernando - L.A.

Aetna	74 sleep modules
Canoga Park	75 sleep modules
Sylmar	85 sleep modules
Van Nuys	100 sleep modules

## Downtown - L.A.

Midnight M.	97 sleep modules
Civic/Main	99 sleep modules

## South Bay - L.A.

Beacon	100 sleep modules
Eubank	100 sleep modules

## South Central - L.A.

Hope	100 sleep modules
Watts	100 sleep modules
St. Andrews	100 sleep modules

## Hollywood - L.A.

Schrader	70 sleep modules
----------	------------------

## Westside - L.A.

Sunset	130 sleep modules
VA	100 sleep modules

## Northwest - L.A.

Riverside	100 sleep modules
-----------	-------------------

## Installation Scheduled:

Washington St	71 sleep modules
East	63 sleep modules
North	48 sleep modules
South	32 sleep modules
West	34 sleep modules

Bridge Home

Bridge Home LA Family Housing – Sylmar Armory



Bridge Home – City of LA typicals





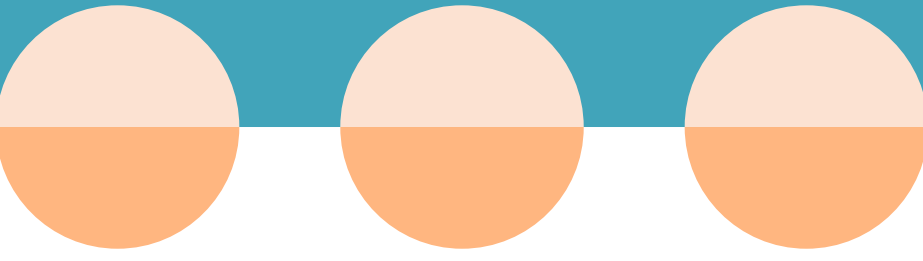


**Gebesa**  
CREATING AMAZING SPACES

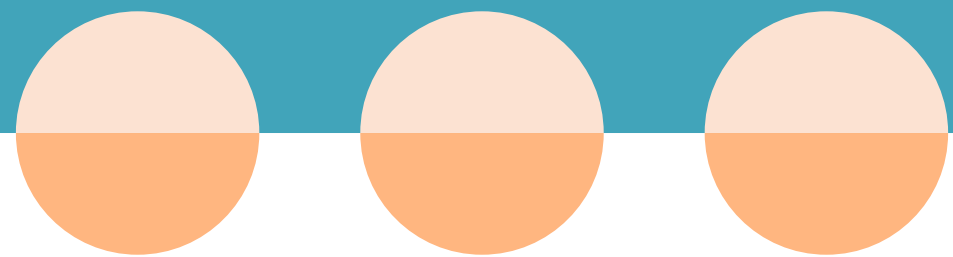


**Gebesa**  
CREATING AMAZING SPACES

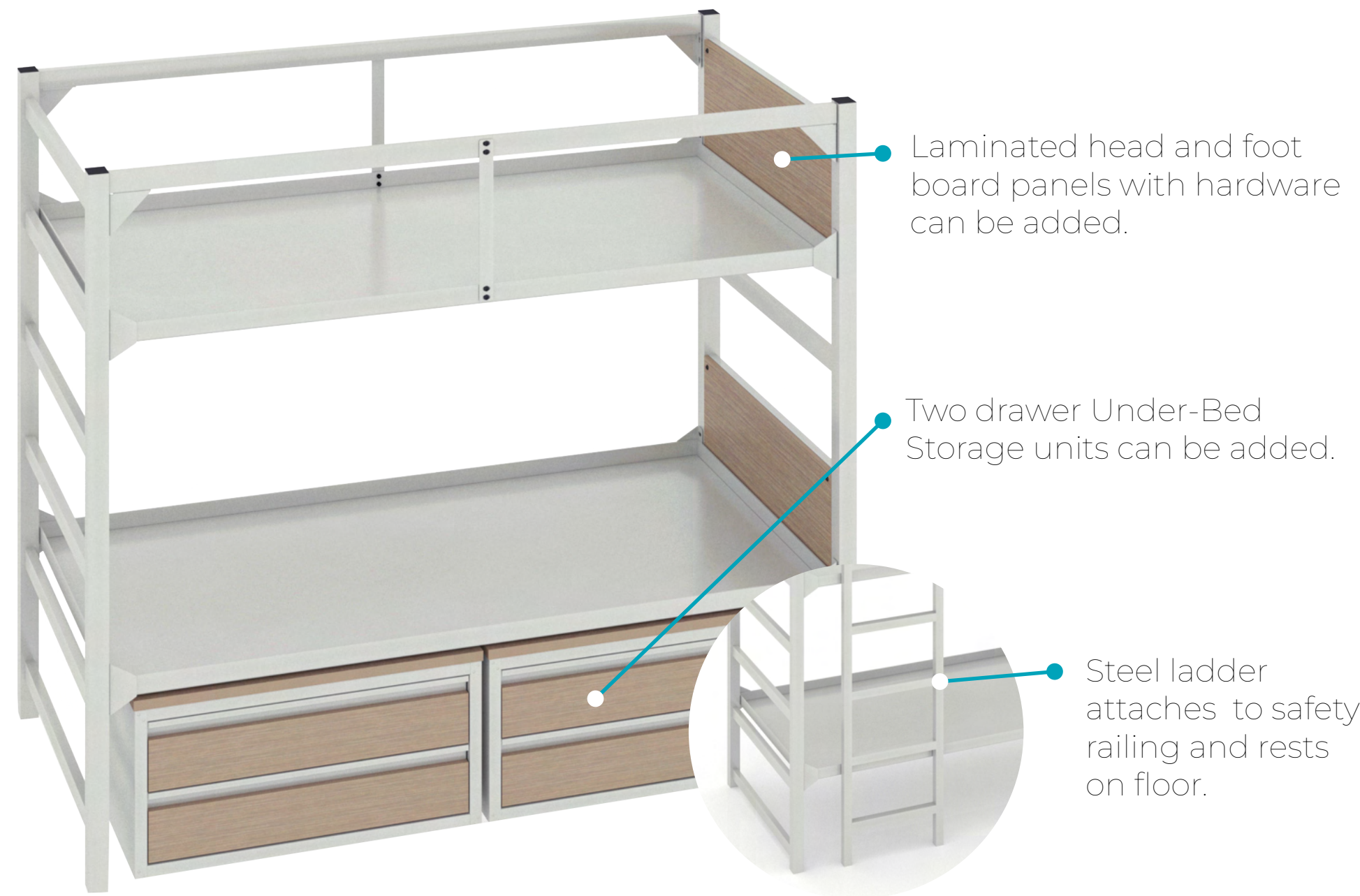
Community  
Shelter  
Furniture



# Beds



# Twin Bunkbed



Laminated head and foot board panels with hardware can be added.

Two drawer Under-Bed Storage units can be added.

Steel ladder attaches to safety railing and rests on floor.

## Twin Bunkbed includes:

- Steel mattress pans (2 width sizes) with welded corners and attachment brackets with two bolt holes each to support mattress pans.
- Steel Head and Footboard frames (extended lengths and widths) include steel vertical and horizontal structures with threaded bolt inserts and includes horizontal tubular steel used as ladders on both ends of the Twin bed structure.
- Top bunk safety railing.
- Non-Tamper bolts and nuts included



Laminated head and foot board panels with hardware can be added.

## Twin Bunkbed includes:

- Steel mattress pans (2) with welded corners and attachment brackets with two bolt holes each to support mattress pans.
- Steel Head and Footboard frames (extended length) include steel vertical and horizontal structures with threaded bolt inserts and includes horizontal tubular steel used as ladders on both

ends of the bed structure.

- Top bunk safety railing.
- Non-Tamper bolts and nuts included.



# Twin/Full Bunkbed

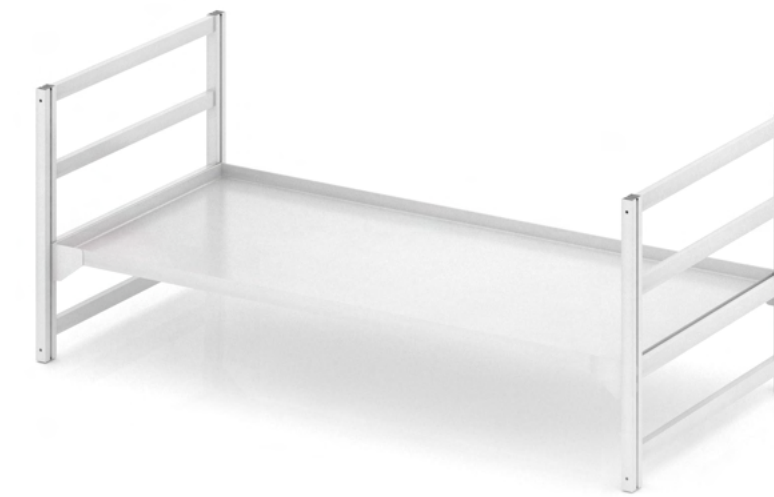
# Twin and Full



# Beds

## Twin and Full bed includes:

- Security — Solid steel mattress pan with 163 lb frame resists tipping or barricading.
- Hygiene — Steel pan contains fluids; all surfaces withstand bleach and institutional disinfectants for rapid turnover.
- Durability — Welded corners eliminate weak joints. Steel construction resists corrosion. 10-year warranty.
- Flexibility — Toolless assembly. Adjustable height. Bunkable. Fits standard twin mattress (36" x 80").



## Twin bed (36" x 80"):

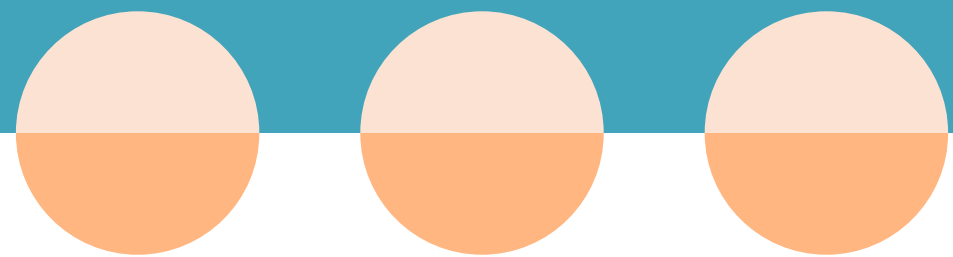
- Single Metal Deck Bed
- Toolless assembly
- Bunkable
- Laminated headboard (optional)
- Adjustable height
- Steel end frames



## Full bed (54" x 80"):

- Full Metal Deck Bed
- Toolless assembly
- Bunkable
- Laminated headboard (optional)
- Adjustable height

# Storage



# Open Nightstand



Metal case



Laminate case

## Open Nightstand includes:

- Laminate top with matching edge banding
- Non-Adjustable metal shelf
- Nylon leveling glides
- 20" x 20" x 24"

### Metal case

- Welded metal case
- Laminate top and drawer fronts
- Integral drawer finger pulls
- Padlock-able option

### Laminate case

- Metal drawer handle
- Solid color laminate drawer interiors

## 2 Drawer Nightstand includes:

- Matching edge banding
- Nylon leveling glides
- Ball bearing drawer slides
- Drawers can be replaceable
- 20" x 20" x 24"



**Nightstand**

# 3 Drawer Chest



### Metal case

- Welded metal case
- Laminate top and drawer fronts
- Integral drawer finger pulls
- Padlock-able option



### Laminate case

- Metal drawer handle
- Solid color laminate drawer interiors

## 3 Drawer Chest includes:

- Matching edge banding
- Nylon leveling glides
- Ball bearing drawer slides
- Drawers can be replaceable
- 30" x 24" x 30"

### Metal case

- Welded metal case
- Laminate top and drawer fronts
- Integral drawer finger pulls
- Padlock-able option

### Laminate case

- Metal drawer handle
- Solid color laminate drawer interiors

## Under-Bed Storage includes:

- Matching edge banding
- Nylon leveling glides
- Ball bearing drawer slides
- Drawers can be replaceable
- 36" x 24" x 18"



## Underbed Storage

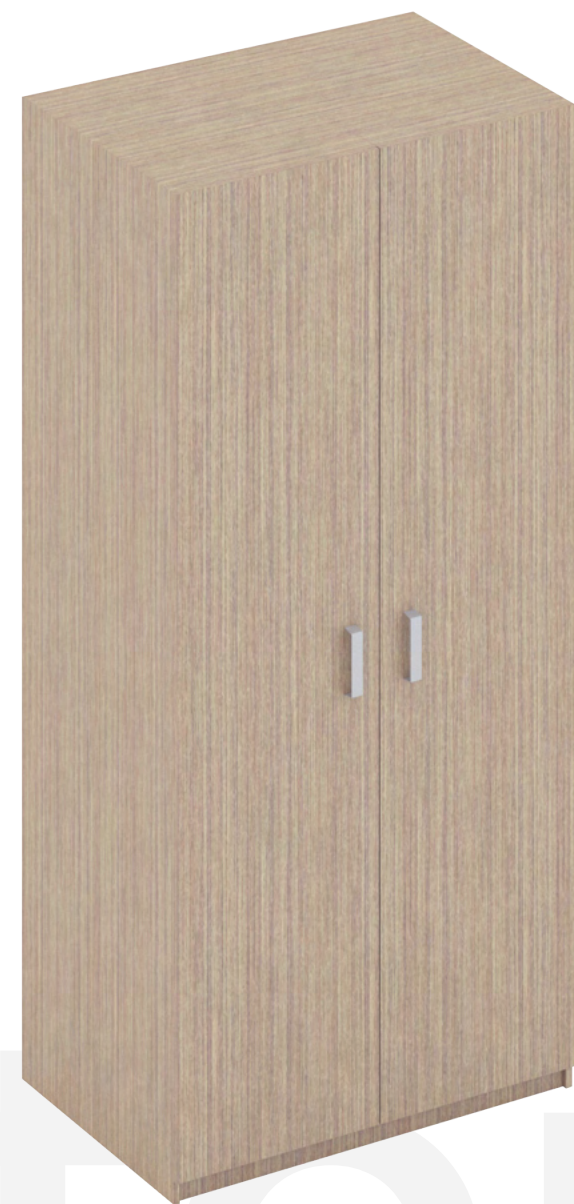
Storage

# Gebesa Wardrobe

CREATING AMAZING SPACES

## 2 Door Metal Wardrobe includes:

- Matching edge banding
- Fixed shelf
- Towel bar
- Nylon leveling glides
- 36" x 24" x 78"



Laminate case



Metal case Closed

- Welded metal case
- Laminate doors attached to metal case
- Padlock-able option

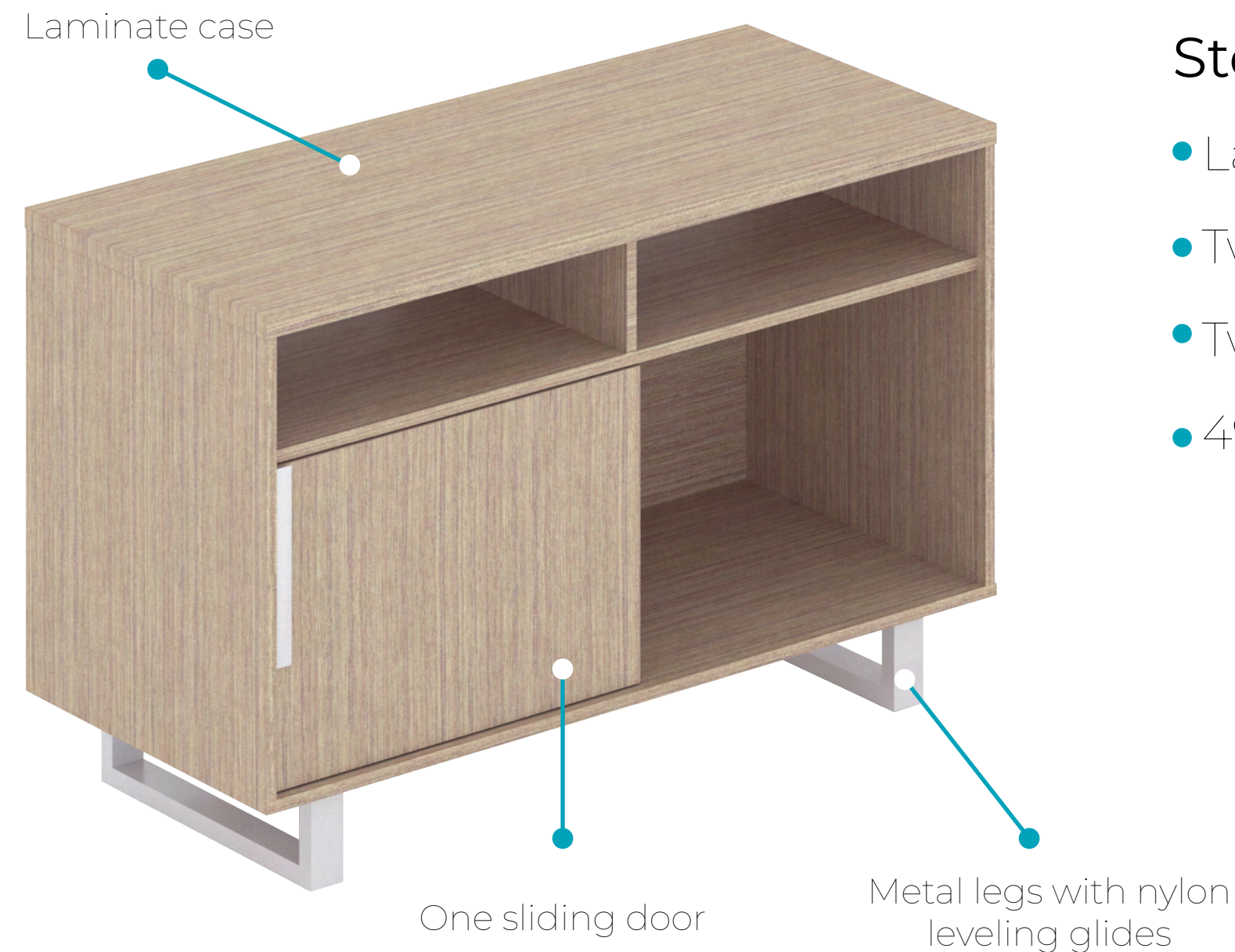
3 point locking system



Metal case Open

# Gebesa Credenza

CREATING AMAZING SPACES

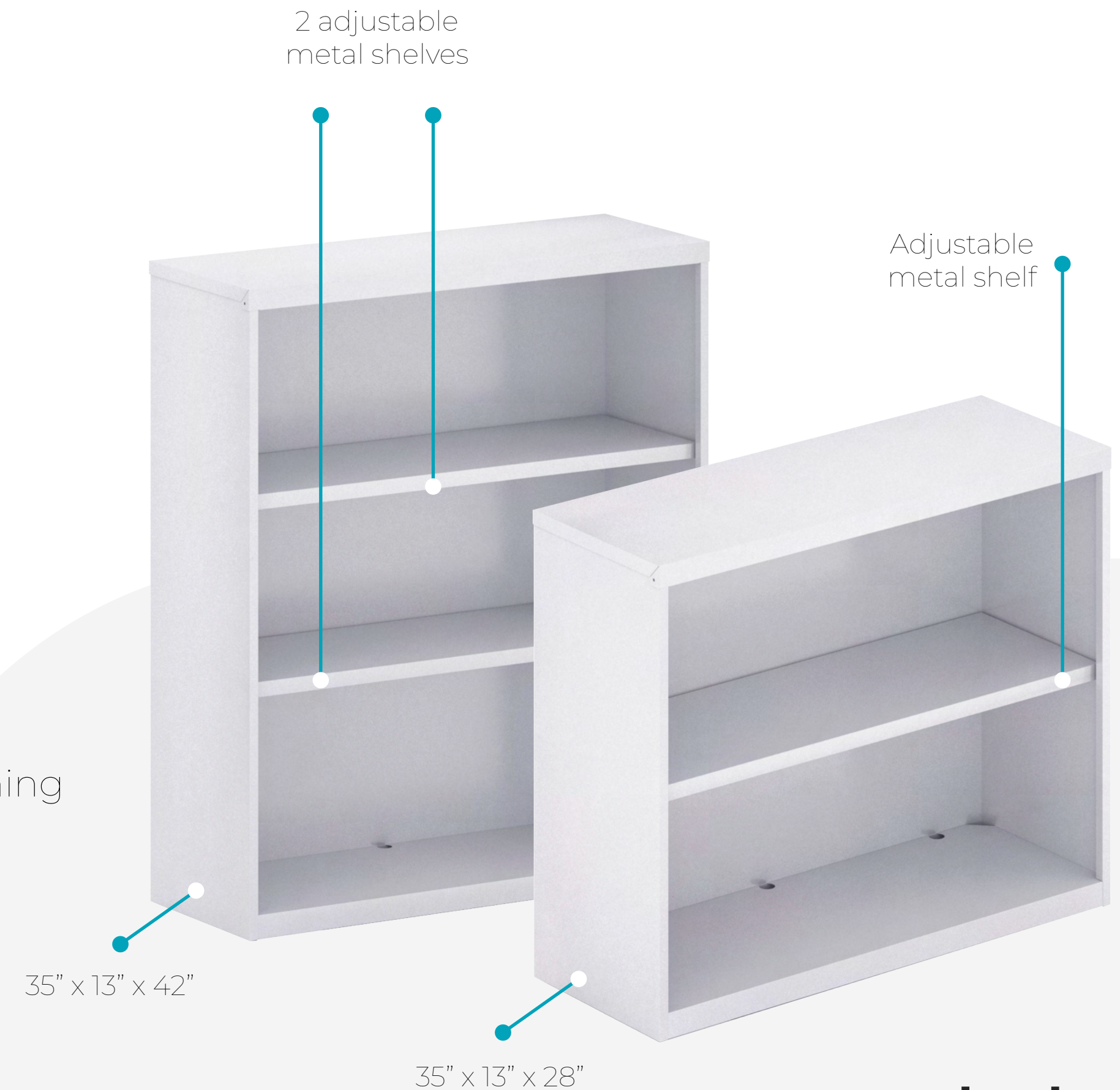


## Storage Credenza includes:

- Laminate top with matching edge banding
- Two pigeon holes
- Two open cases
- 49" x 20" x 30"

## Bookshelf includes:

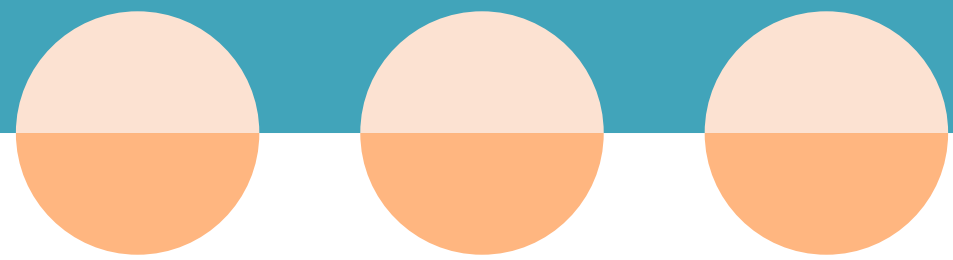
- Welded metal case
- Laminate top with matching edge banding



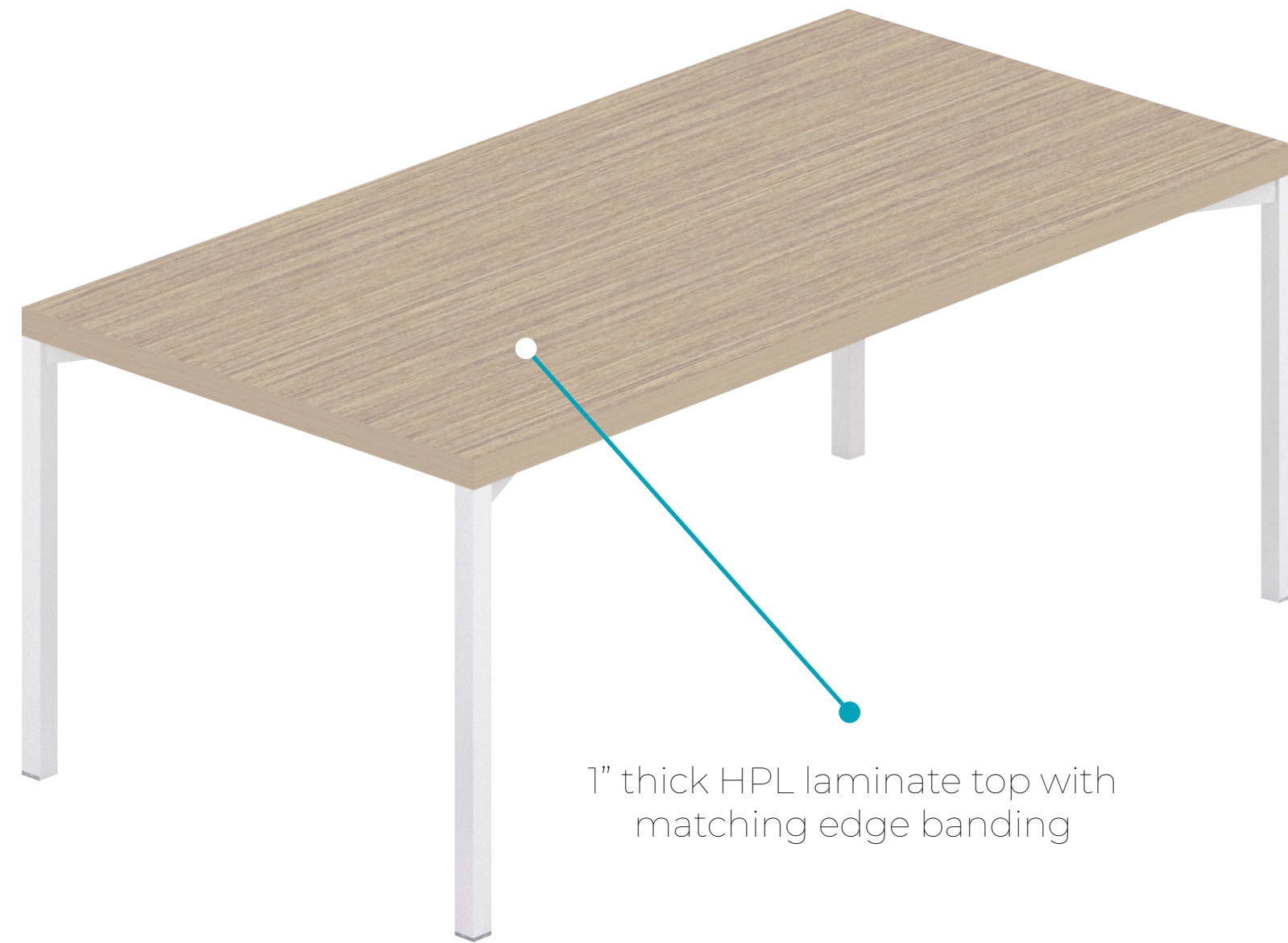
## Bookshelf

# Storage

# Tables



## Coffee Table



### Coffee Table includes:

- Steel X support under the length & width of table
- Base welded to four post steel legs
- Nylon leveling glides
- Top attached to base with non-tamper screws
- 47" x 24" x 18"

### Corner End Table includes:

- Steel X support under top length & width of table
- Base welded to four post steel legs
- Nylon leveling glides
- Top attached to base with non tamper screws
- 24" x 24" x 24"

1" thick HPL laminate top with matching edge banding



**Corner end Table**

# Dining Table



1" thick HPL laminate top with matching edge banding

## Dining Table includes:

- 4" diameter column with welded steel X base
- 10" square steel attachment bracket under surface
- Nylon leveling glides
- 36" Square
- 30" High



1" thick HPL laminate top with matching edge banding

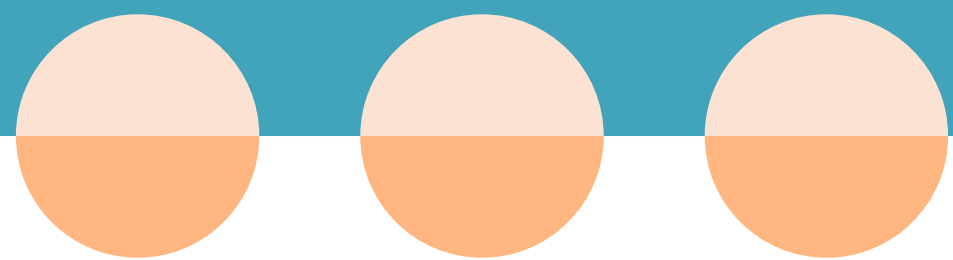
## Pull-Up Table includes:

- C shaped open steel frame structure
- 18" x 14" x 29"
- Nylon leveling glides

# Tables

**Pull-up Table**

# Desks



# Pedestal Desk

## Pedestal Desk includes:

- Matching edge banding
- Pencil drawer
- Box/Box/File
- Ball bearing drawer slides
- Drawers can be replaceable
- Nylon leveling glides
- 45" x 24" x 30"



*Right Side Shown*

### Metal case

- Welded metal case
- Laminate top and drawer fronts
- Integral drawer finger pulls
- Padlock-able option



*Right Side Shown*

### Laminate case

- Metal drawer handle
- Solid color laminate drawer interiors

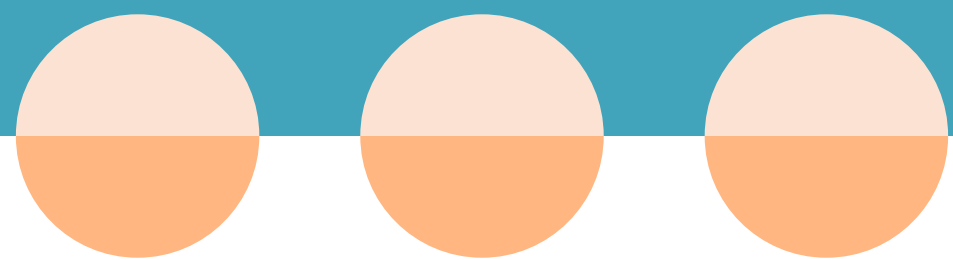
# Writing Desk

## Writing Desk includes:

- Welded metal frame
- Laminate top with Pencil drawer front
- Matching edge banding
- Integral drawer finger pulls
- Ball bearing drawer slides
- Drawer is replaceable
- Nylon leveling glides
- 36" x 24" x 30"



# Seating



# Seating



Lounge Chair

Capacity: Accommodates one person  
Dimensions: 34" x 31" x 34"



Love Seat

Capacity: Accommodates two people  
Dimensions: 57" x 31" x 34"



Sofa

Capacity: Accommodates three people  
Dimensions: 81" x 31" x 34"

## All include:

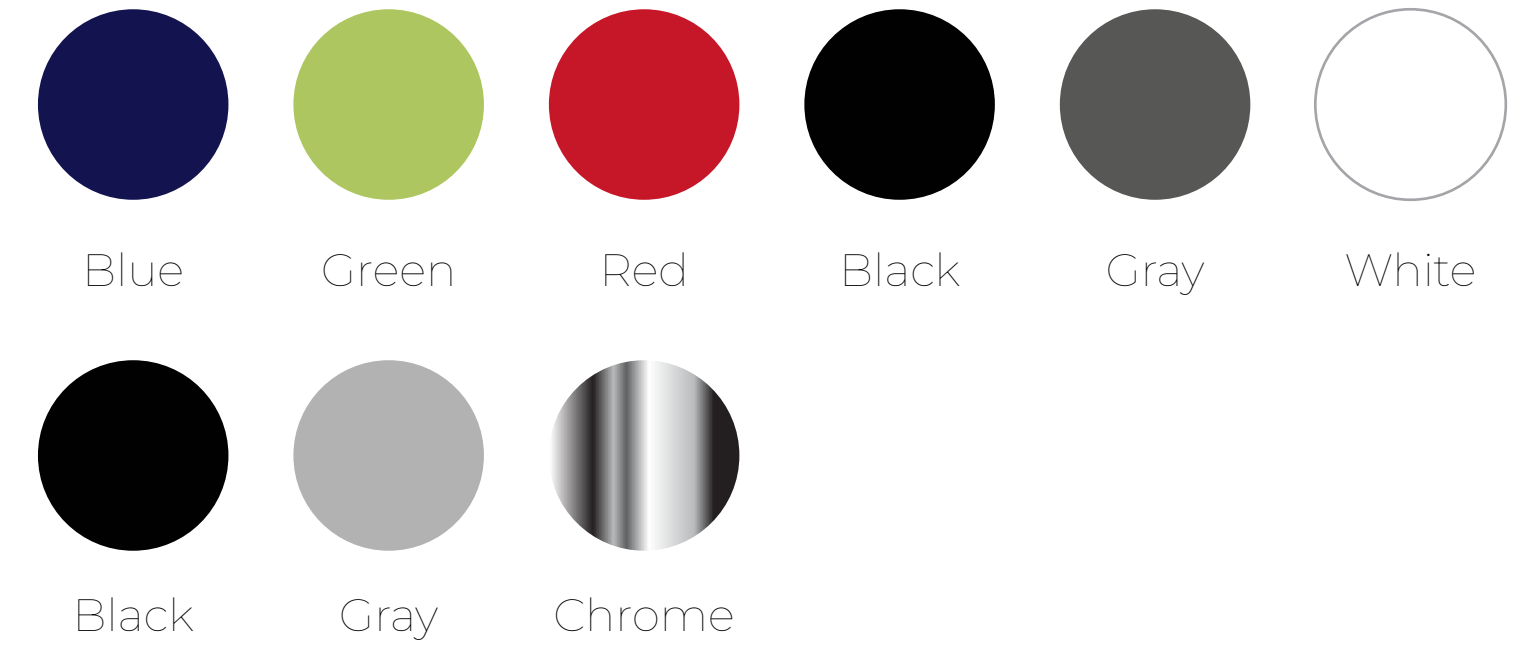
- Hardwood Frame
- Dove tail and dowel construction
- Dense Foam padding and cushion
- Upholstered in high grade vinyl
- Scuff resistant poly glides
- Attached back and seat cushions
- Internal liquid barrier

# Guest Chair



### Guest Chair includes:

- Polypropylene back and seat
- Scratch resistant glides
- 250 LB weight capacity
- Dimensions: 19" x 23" x 33"



Optional arms



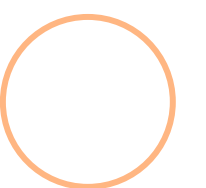
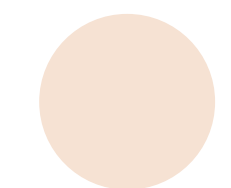
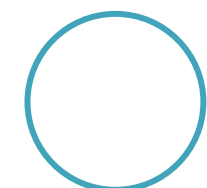
Optional casters

### Bench includes:

- Steel frame bench structure
- Nylon leveling glides
- Upholstered seat top - Vinyl
- Dimensions: 48" x 18"



**Bench 48" W**



Gensler's holistic design approach, meticulously tailored to the unique needs and operational intricacies of **Midnight Mission**, synergized seamlessly with our engineering and manufacturing prowess.

This collaboration fostered an **innovative, human-centric solution** for the shelter, embodying both functional elegance and empathetic consideration for the end-users' experience.

At Gebesa, we take pride in going above and beyond to exceed our customers' expectations. Our enhanced sleeping solutions represent our commitment to quality, innovation, and customer satisfaction.

Elevate your sleeping experience with us — **where comfort meets customization!**



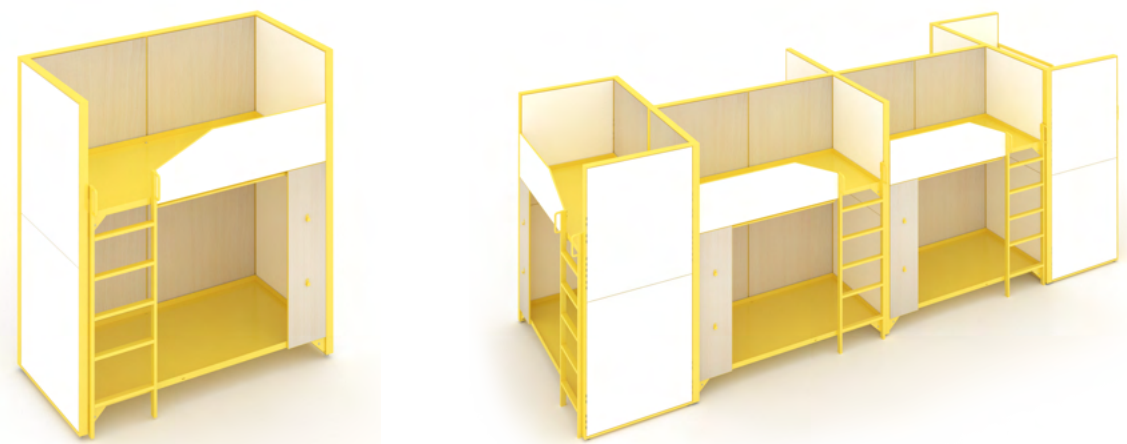
Partnership With:

**Gensler**

- Heightened Panels for Custom Comfort
- Bedbug-Resistant Design
- Solid Deck for Added Security
- Specialized Yellow Metal Finish
- Custom Melamine Railings



Ada Configuration



Bunk Configuration

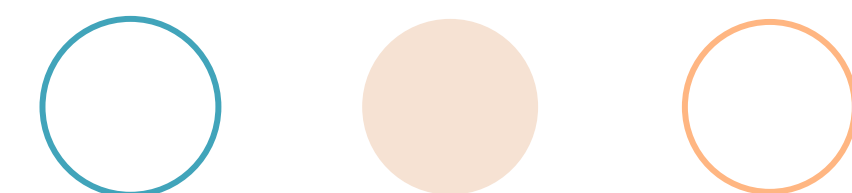


Loft Configuration





*San Diego*  
**RESCUE**  **MISSION**  
SAVING LIVES SINCE 1955



## San Diego Project

- New dealer and their first project with Gebesa
- Project was delivered on time and with zero punch list
- Installer, not knowing Gebesa scheduled 4 days to complete install because they were use to assembling desks and wardrobes.

### Installation Took One Day!

- Gebesa ships all desks and wardrobes completely assembled.
- Gebesa produced the furniture and sourced the mattress



CASS Family Shelter – Vista Colina



CASS Family Shelter – Vista Colina



## Sleeping Solutions

- Beds are easy to put together
- Ease of installation

### Applications

- Homeless shelters
- Rescue Missions
- Military Dorm and Sleep Quarters
- University Dorms
- Storm and Disaster Relief shelters
- Immigration shelters





# Mark Stackle

Vice President of US Distribution

 (760) 994 6047

 [mark.stackle@gebesa.com](mailto:mark.stackle@gebesa.com)

Gebeso

CREATING AMAZING SPACES