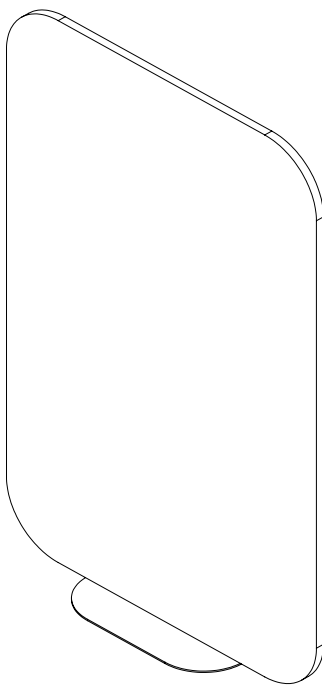


Zone

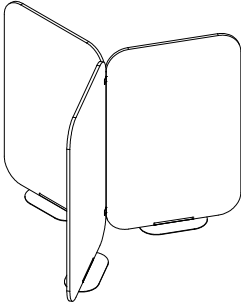
Assembly Manual Typical configurations



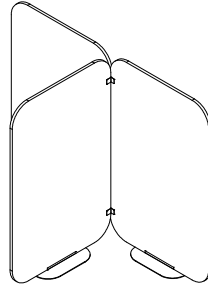
Questions?

Call Toll Free +1 (505) 620-5666 or email warranty@gebesa.com

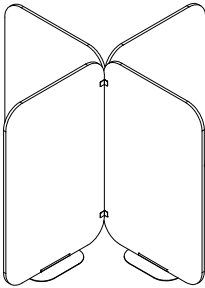
Gebesa
CREATING AMAZING SPACES



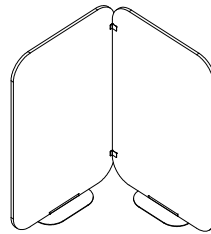
1. "Y" configuration



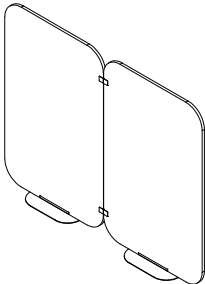
2. "T" configuration



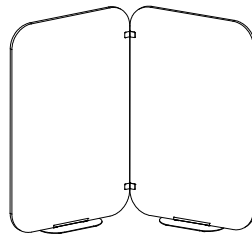
3. "X" configuration



4. 120° configuration

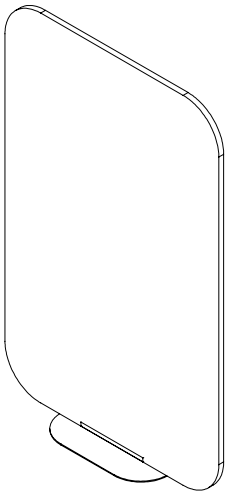
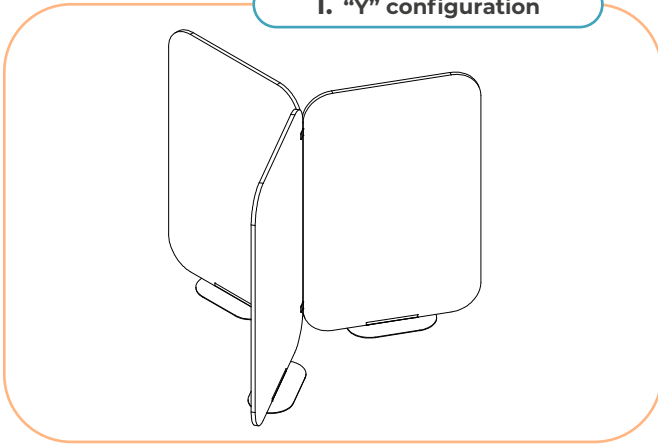


5. Straight configuration



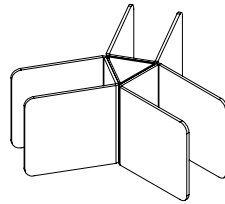
6. 90° configuration

1. "Y" configuration



Space divider
(A)

3x

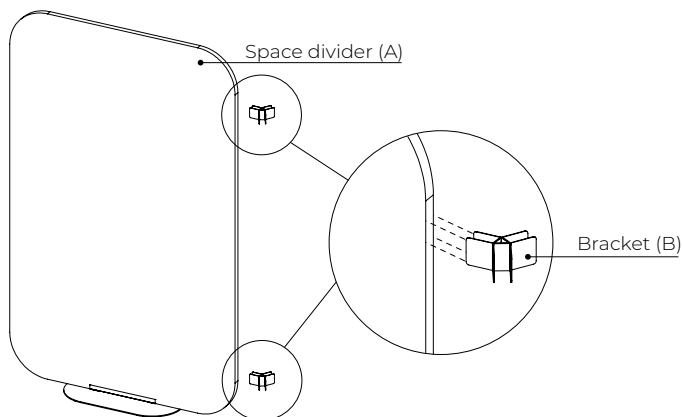


For space dividers taller
than 47.24 in, 2 brackets
are recommended

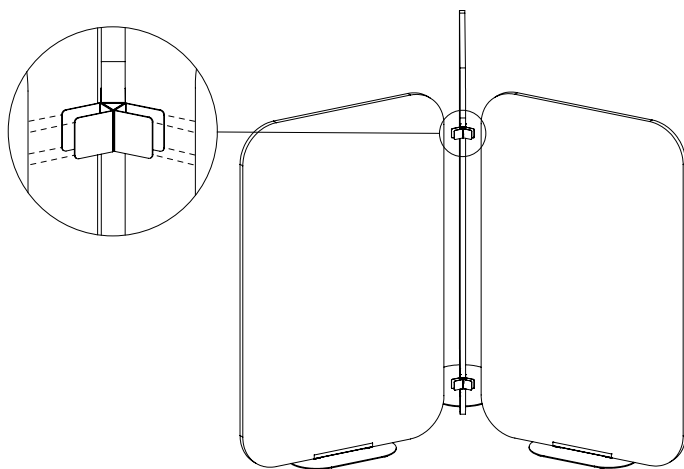
Bracket
(B)

2x

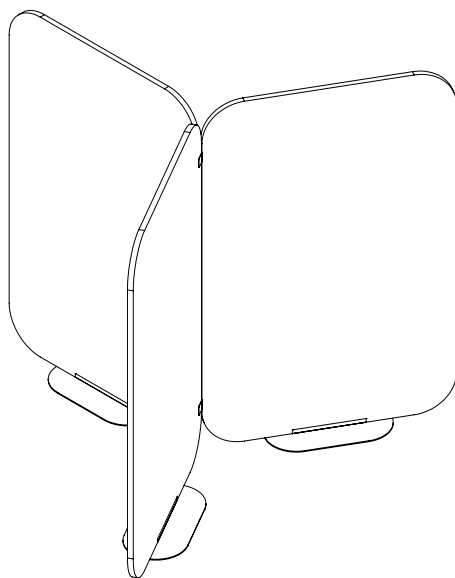
- 1.1** Place the brackets at the top and bottom of the space divider, or in another suitable position.



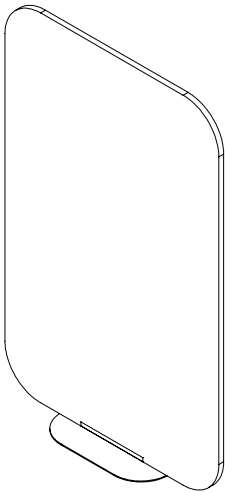
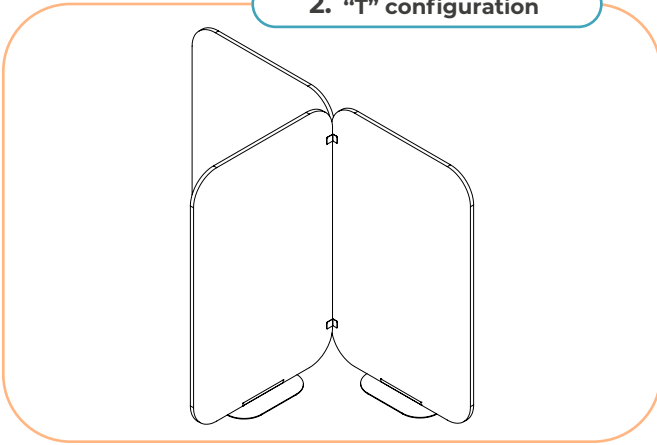
- 1.2** Attach the remaining two space dividers to the brackets to form the configuration.



1.3 Ensure the assembly is stable and safe for use.

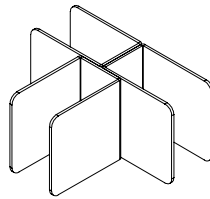


2. "T" configuration



Space divider
(A)

3x

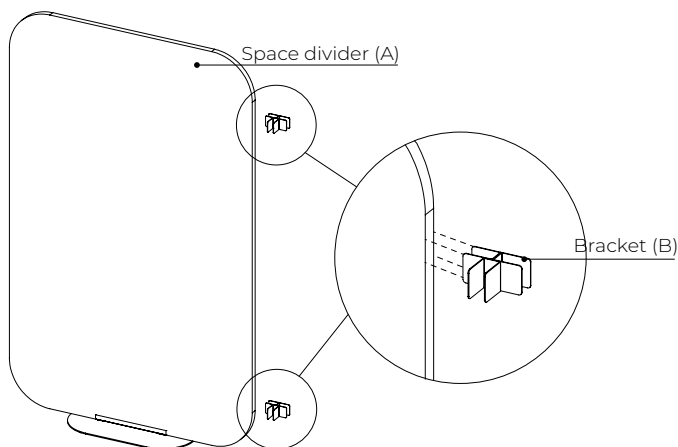


For space dividers taller
than 47.24 in, 2 brackets
are recommended

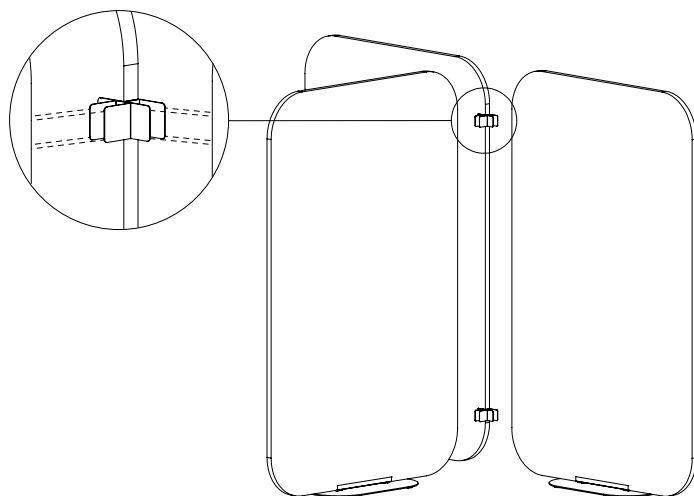
Bracket
(B)

2x

- 2.1** Place the brackets at the top and bottom of the space divider, or in another suitable position.

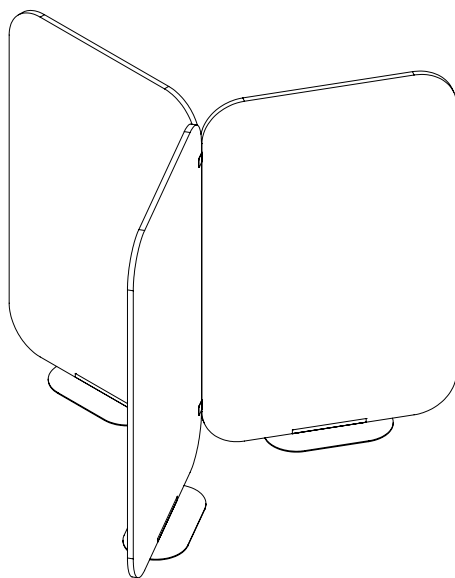


- 2.2** Attach the remaining two space dividers to the brackets to form the configuration.

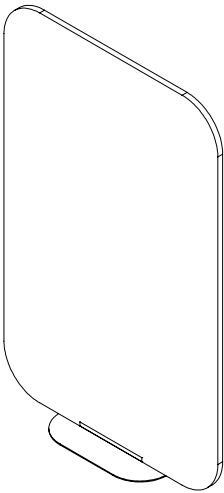
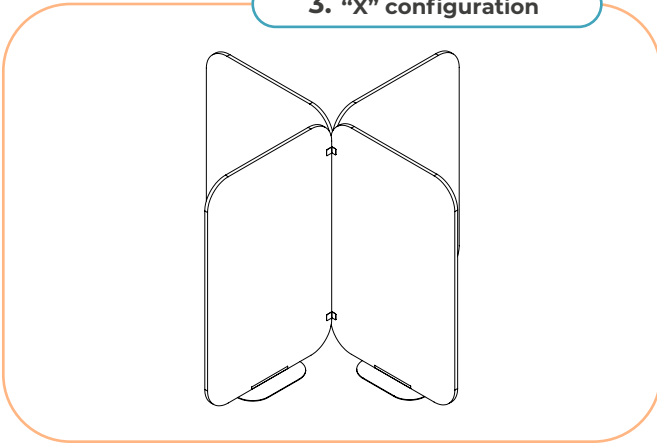


2.3

Ensure the assembly is stable and safe for use.

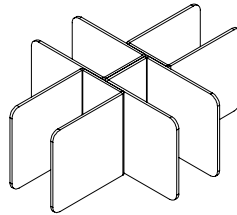


3. "X" configuration



Space divider
(A)

3x

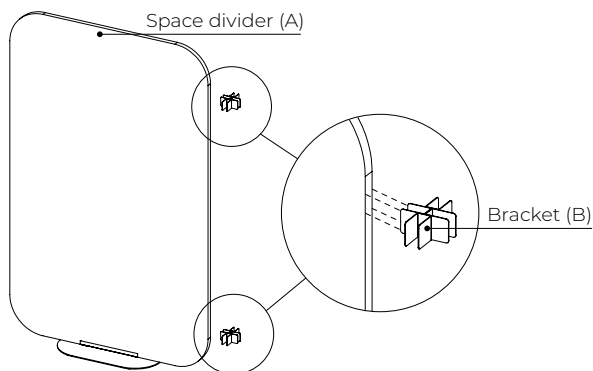


For space dividers taller
than 47.24 in, 2 brackets
are recommended

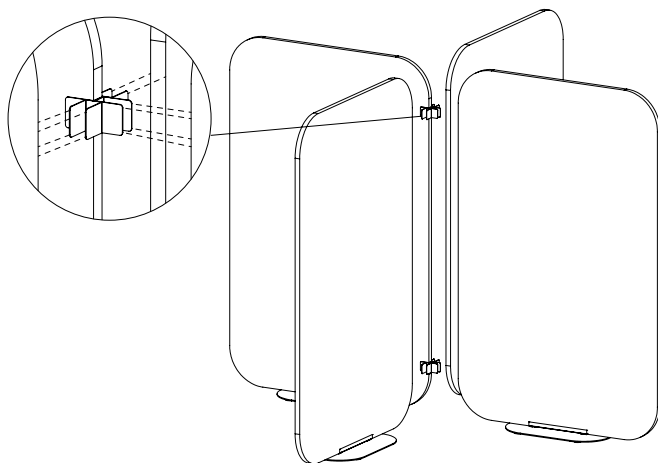
Bracket
(B)

2x

- 3.1** Place the brackets at the top and bottom of the space divider, or in another suitable position.

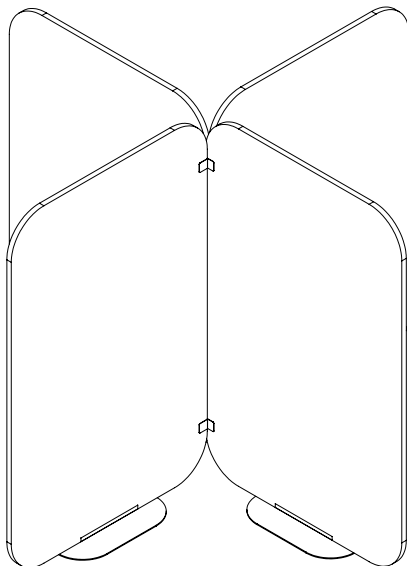


- 3.2** Attach the remaining two space dividers to the brackets to form the configuration.

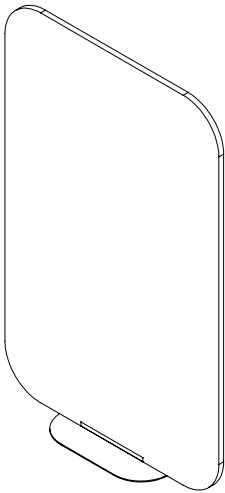
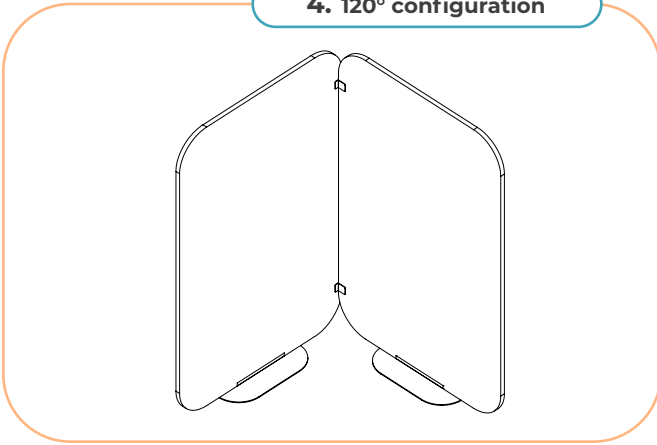


3.3

Ensure the assembly is stable and safe for use.

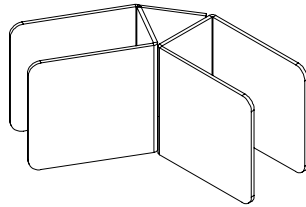


4. 120° configuration



Space divider
(A)

3x

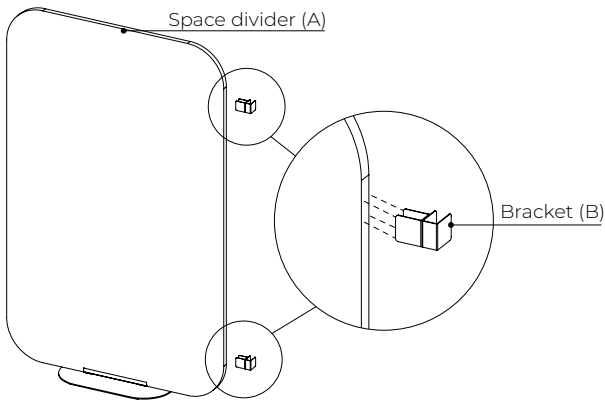


For space dividers taller
than 47.24 in, 2 brackets
are recommended

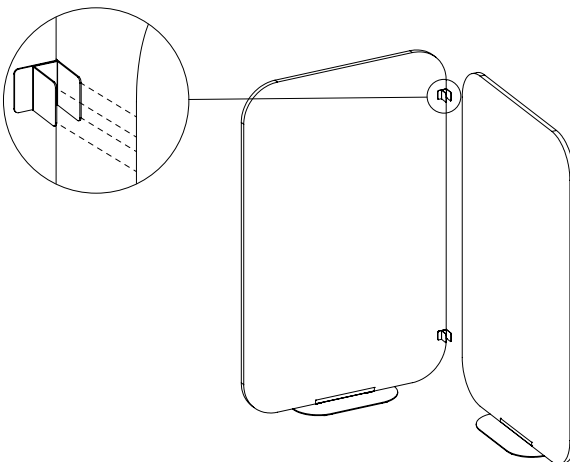
Bracket
(B)

2x

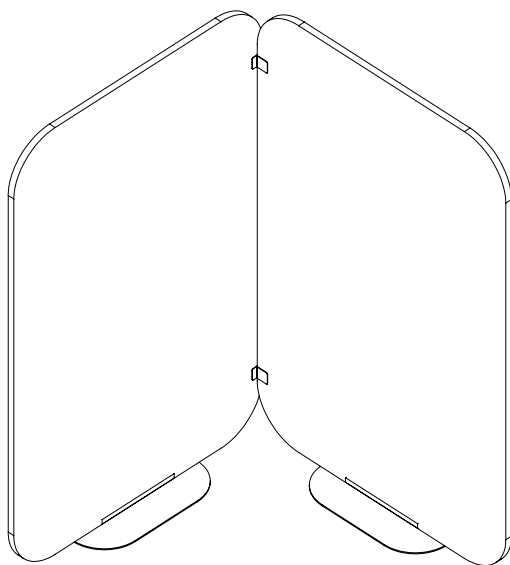
- 4.1** Place the brackets at the top and bottom of the space divider, or in another suitable position.



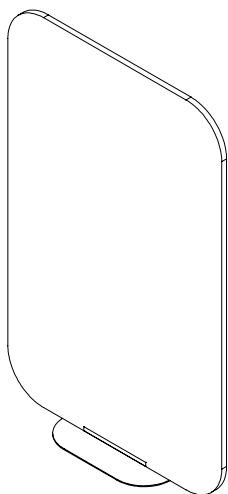
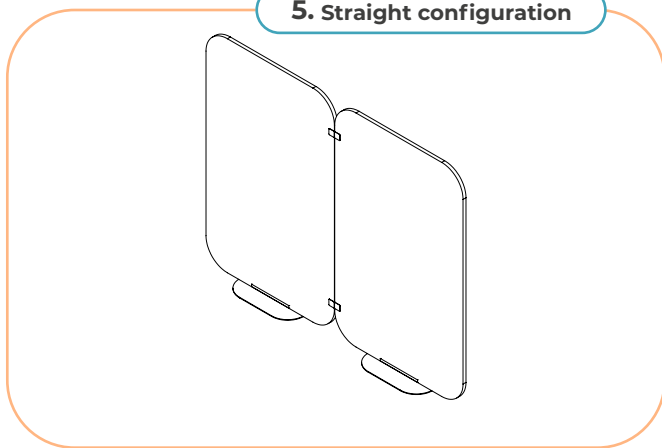
- 4.2** Attach the remaining space divider to the brackets to form the configuration.



4.3 Ensure the assembly is stable and safe for use.

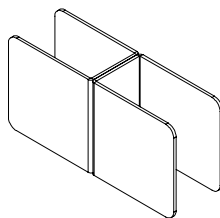


5. Straight configuration



Space divider
(A)

3x

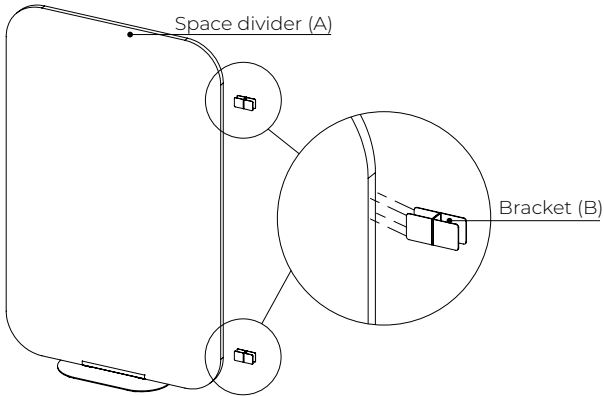


For space dividers taller
than 47.24 in, 2 brackets
are recommended

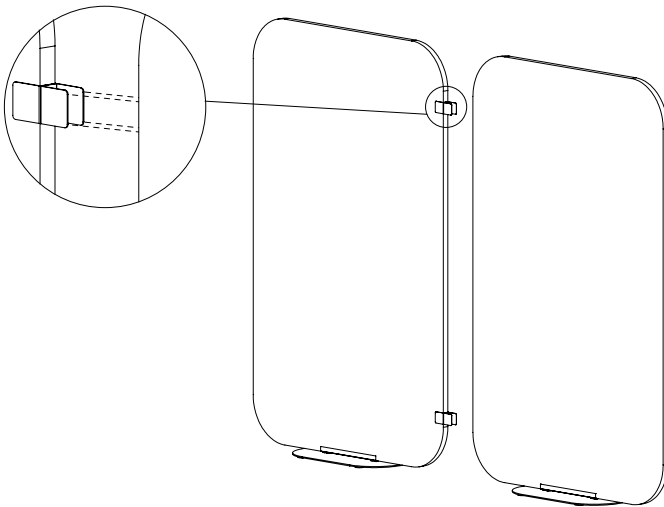
Bracket
(B)

2x

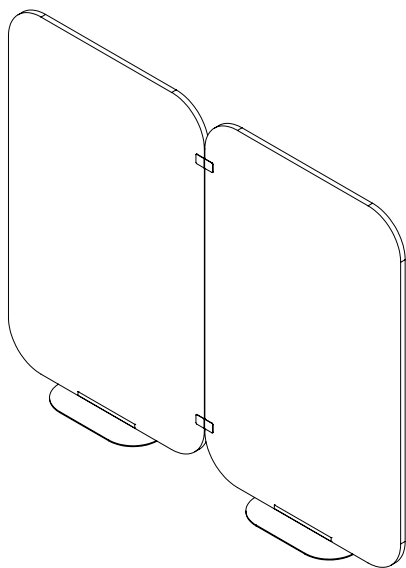
- 5.1** Place the brackets at the top and bottom of the space divider, or in another suitable position.



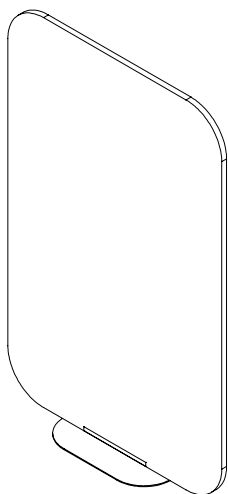
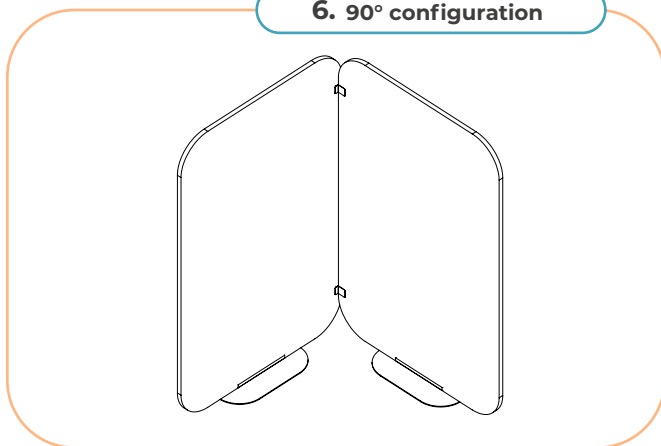
- 5.2** Attach the remaining space divider to the brackets to form the configuration.



5.3 Ensure the assembly is stable and safe for use.

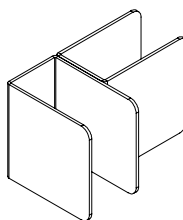


6. 90° configuration



Space divider
(A)

3x

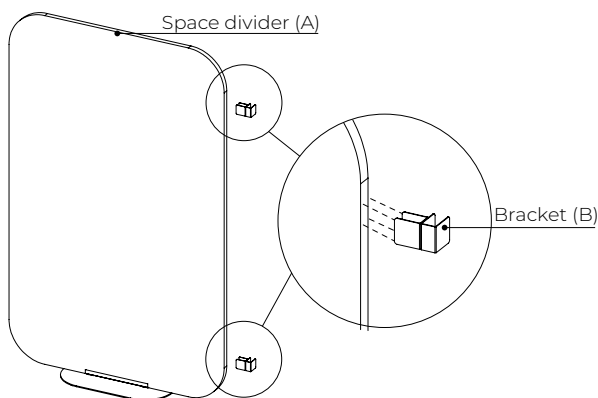


For space dividers taller
than 47.24 in, 2 brackets
are recommended

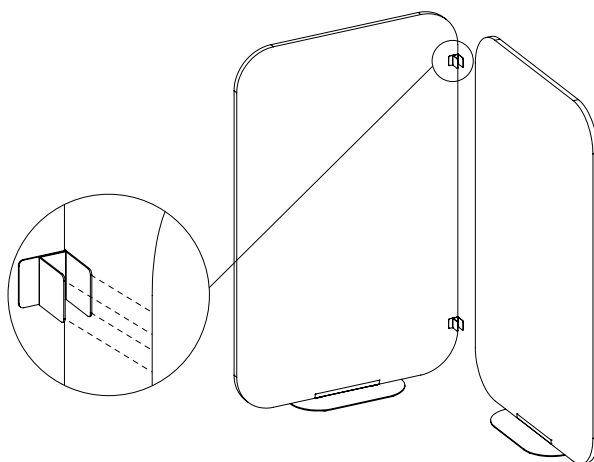
Bracket
(B)

2x

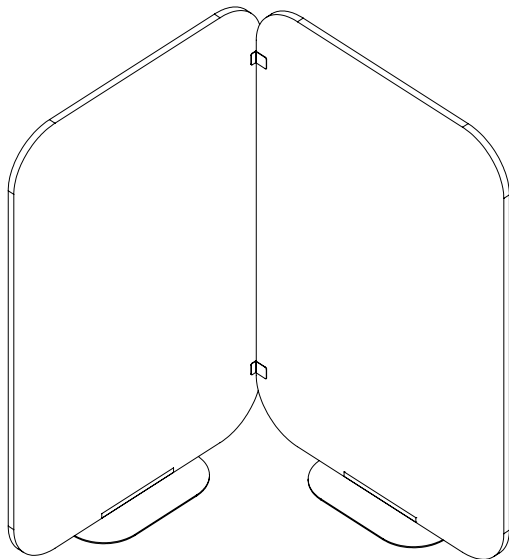
- 6.1** Place the brackets at the top and bottom of the space divider, or in another suitable position.



- 6.2** Attach the remaining space divider to the brackets to form the configuration.



6.3 Ensure the assembly is stable and safe for use.



Questions?

Call Toll Free +1 (505) 620-5666
or email warranty@gebesa.com

Gebesa
CREATING AMAZING SPACES